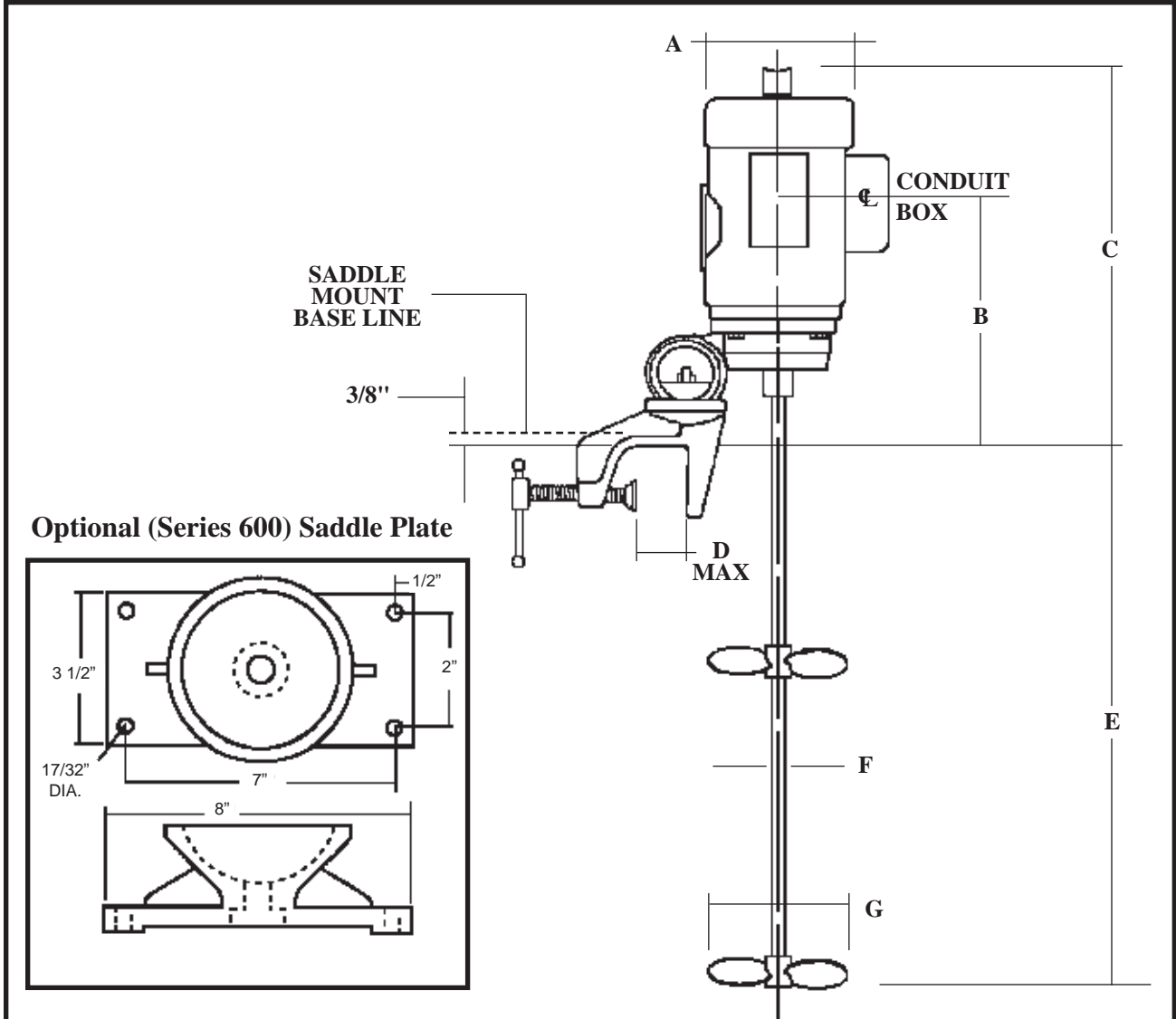




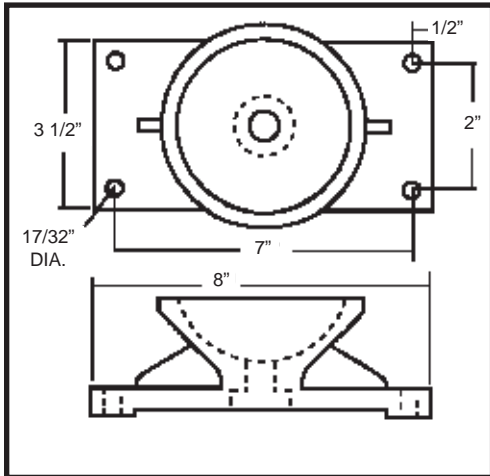
SPECIFICATION SHEET SERIES 400 DIRECT DRIVE

Avail Models: Electric (TEFC), Air, X-proof, Vari-speed

4310 North 126th Street Brookfield, WI 53005 (U.S.A.)
 Phone: 262-781-5020 Fax: 262-781-8120
www.Grovhac.com



Optional (Series 600) Saddle Plate



MODEL	H.P.	R.P.M.	* A	* B	* C	D	E	F	SINGLE G	DUAL G
400-250-DD	.25	1725	9.06"	10.13"	17.13"	3"	36"	.63"	4"	3"
400-333-DD	.33	1725	9.06"	10.13"	17.13"	3"	36"	.63"	4.5"	4"
400-500-DD	.50	1725	9.06"	10.13"	18.00"	3"	36"	.63"	5"	4.5"
400-750-DD	.75	1725	9.06"	10.63"	18.50"	3"	36"	.63"	5"	4.5"
400-1000-DD	1.00	1725	9.06"	11.13"	19.00"	3"	36"	.63"	6"	5"
400-1500-DD	1.50	1725	9.06"	10.63"	19.50"	3"	36"	.75"	6"	5"
400-2000-DD	2.00	1725	9.06"	12.13"	20.00"	3"	48"	.75"	6.5"	6"

* MAY VARY WITH PHASE OR ENCLOSURES.